

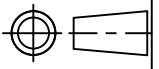


SHREENATH ENGINEERING

PLOT NO-B/22, ZAVERI ESTATE,
NR. KATHWADA G.I.D.C., KATHWADA-SINGARVA ROAD,
KATHWADA, AHMEDABAD-382 430 , GUJARAT, INDIA.
MOBILE :- +91 9825530462, 9979082211
E-mail: neconvalves@yahoo.com / Website : www.neconvalves.com

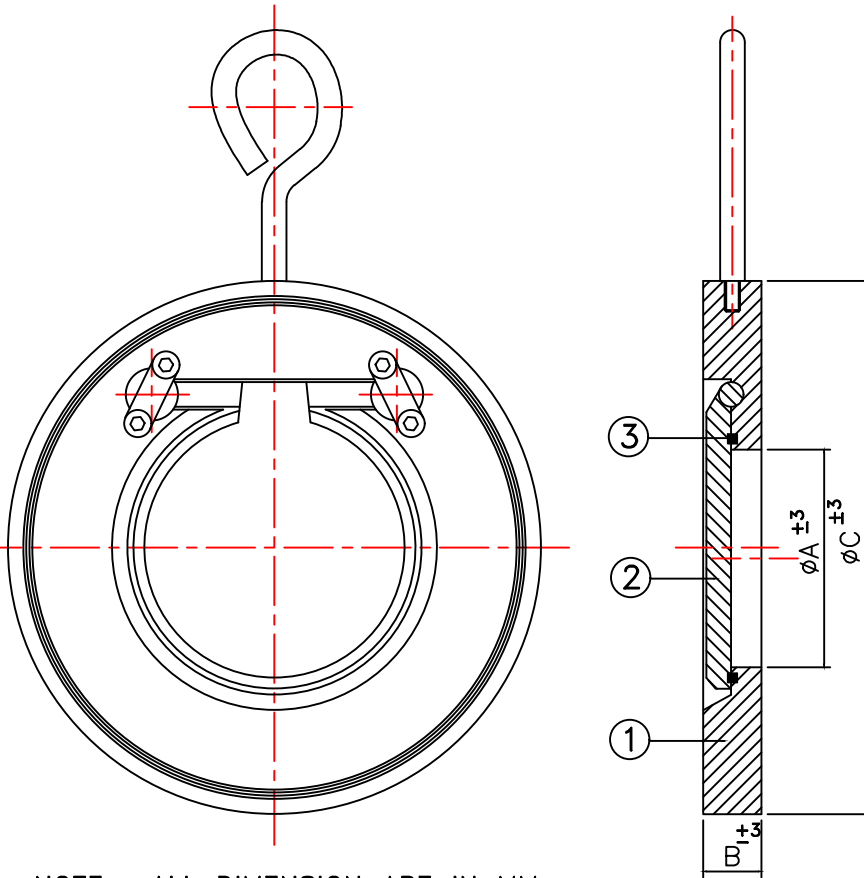
DRN
MASUM

DATE
10/06/2024



WAFER TYPE CHECK VALVE.

DRG. NO : SE/CHK/550-650-700-750-800-900MM



NOTE : ALL DIMENSION ARE IN MM.

SIZE		A	B	C
MM	INCH			ANSI#150
550	22"	430	63.5	650
650	26"	520	70	760
700	28"	590	74	820
750	30"	620	74	870
800	32"	650	80	920
900	36"	730	80	1035

MATERIAL OF CONSTRUCTION

NO	PART NAME	MATERIAL
1	BODY	C.I./SGI/WCB/S.S 304/316
2	DISC	M.S/S.S 304/316
3	SEAT	NITRILE/EPDM/VITON/SILICON/PTFE

SEAT TEMPERATURE RANGE

SEAT TYPE	TEMPERATURE RANGE	
	Min.	Max.
NITRILE	-13°F(-25°C)	212°F(100°C)
EPDM	-13°F(-25°C)	250°F(120°C)
SILICON	-58°F(-50°C)	356°F(180°C)
VITON	-23°F(-5°C)	392°F(200°C)
HYPALON	-4°F(-20°C)	250°F(120°C)

TESTING

PRESSURE RATING	HYDROSTATIC SHELL TEST		HYDROSTATIC SEAT TEST	
	Kg/CM2	PSI	Kg/CM2	PSI
PN16	22	310	16	225
PN10	15	210	10	140

CONFORMITY TO CODES & STANDARDS

GENERAL DESIGN & MANUFACTURE :- API 6D/ANSI B16
VALVE FACE TO FACE DIMENSION :- API 6D/ANSI B16
VALVE INSPECTION & TESTING :- API 598 / ANSI B16
FLANGE STANDARD CONFORMITY :- ANSI 150#

THIS DRAWING IS PROPERTY OF SHREENATH ENGINEERING.
SHREENATH ENGINEERING RESERVES RIGHTS OF USE,CHANGE & MODIFY PRODUCT DESIGN OR PRODUCT WITHOUT PRIOR NOTICE.

CHECKED BY :-

APPROVED :-